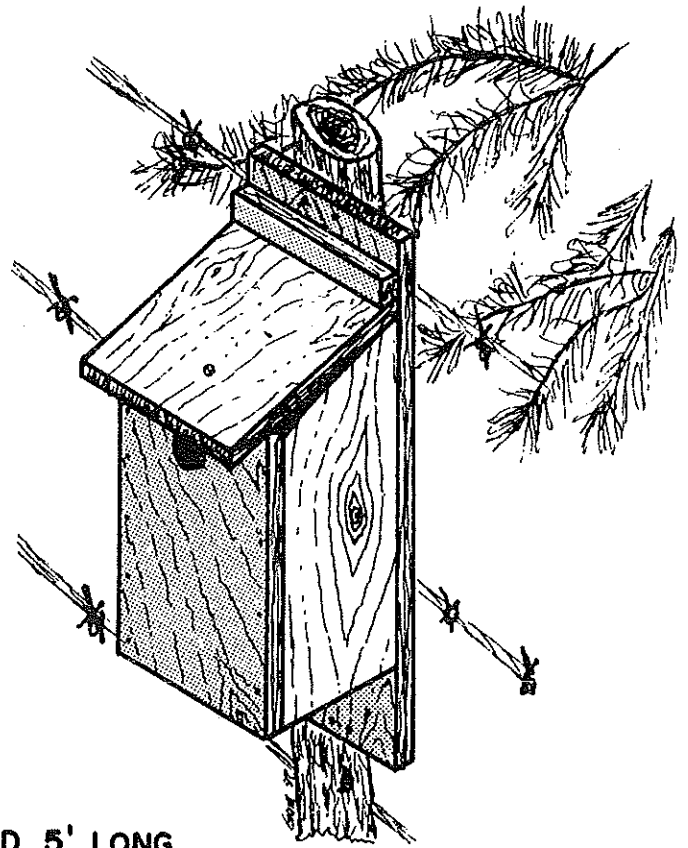


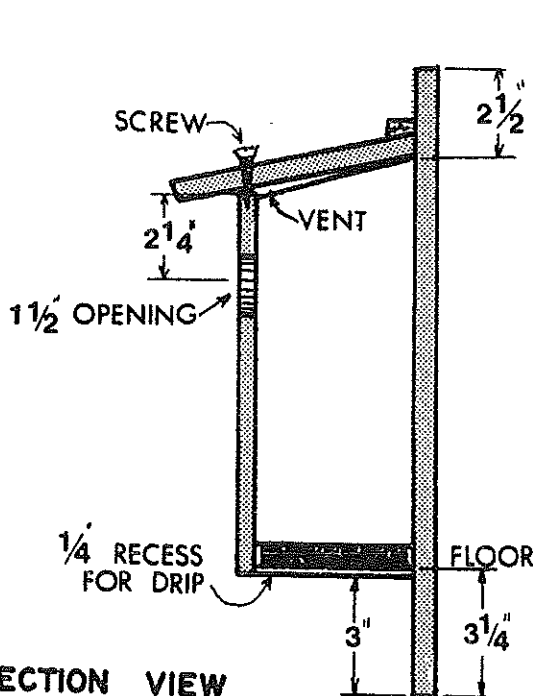
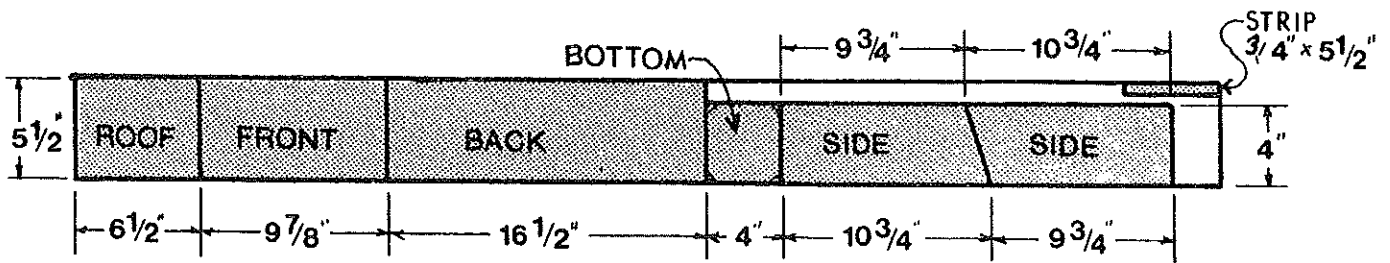
# HOW TO BUILD A BLUEBIRD HOUSE



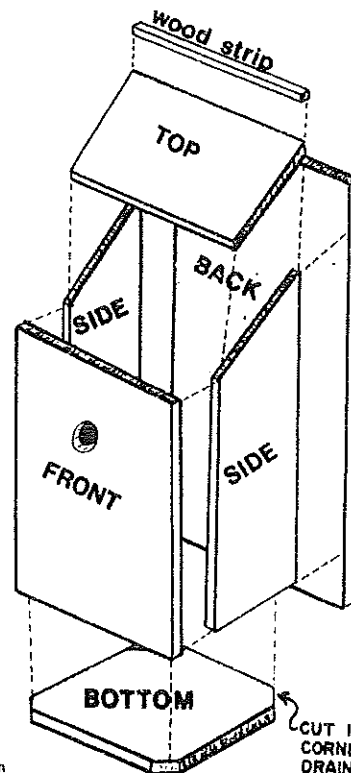
Drawings  
by Steve Gum

Missouri Department of Conservation

ALL PARTS FROM A SINGLE 1 x 6 BOARD 5' LONG



SECTION VIEW  
(side)



5 GUM 82